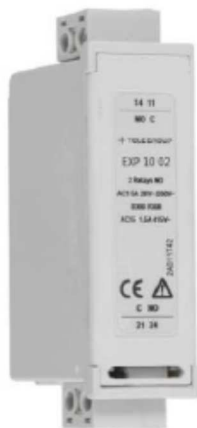


// ENG
// User manual
// EXP1004



Expansion Module n. 4 Static Outputs

COMPANY WITH SOCIAL
ACCOUNTABILITY SYSTEM
CERTIFIED BY DNV GL
= SA 8000 =

COMPANY WITH
QUALITY SYSTEM
CERTIFIED BY DNV GL
= ISO 9001:2015 =

COMPANY WITH
ENVIRONMENTAL SYSTEM
CERTIFIED BY DNV GL
= ISO 14001:2015 =

COMPANY WITH
SAFETY SYSTEM
CERTIFIED BY DNV GL
= OHSAS 18001 =

Expansion

Module n. 4

Static Outputs

EXP 1004 User Manual



ATTENTION!!

The heads of the company departments have the obligation, according to the regulations in force, to carefully read the contents of this document and to have it read by the operators and maintenance technicians in charge, for the parts that are their responsibility. The time spent for this purpose will be largely rewarded by the correct functioning of the module and its use in safe conditions

This instruction manual is an integral part of the expansion module and is intended to provide all the information necessary for:

- Know the product and its operation;
- Know the operating methods and the limits of use envisaged;
- Correct installation;
- Proper and safe use.

Before any work on the module, remove voltage from the measurement and power supply inputs, from the relay outputs where present and short-circuit the current transformers.

- The manufacturer assumes no responsibility for any use of the module that is not in accordance with this instruction manual.
- The product described in this document is subject to evolution or modification at any time. The descriptions and data in the catalog cannot therefore have any contractual value.
- Clean the device with a soft cloth, do not use abrasive products, liquid detergents or solvents.

Introduction

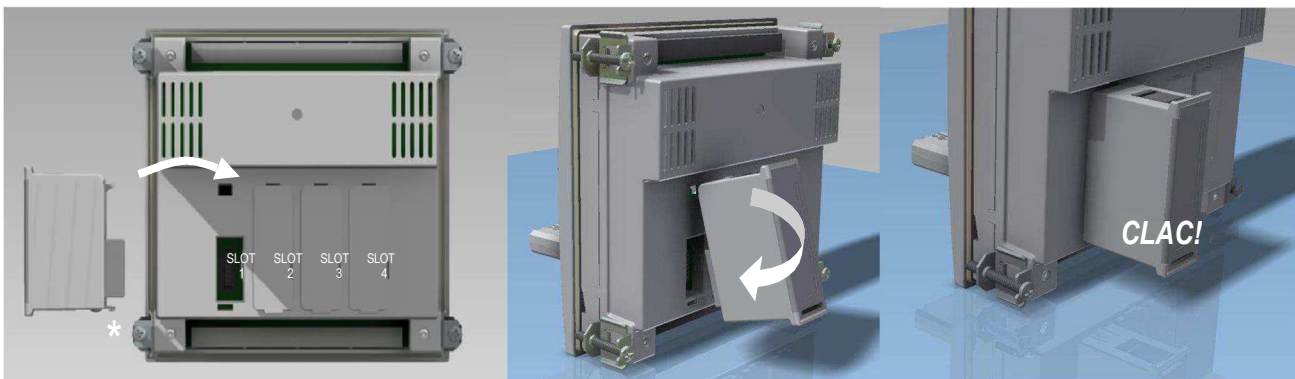
The EXP 1004 expansion modules have been designed and developed to enhance the connectivity, I/O, storage and analysis functions of the regulator to which they are connected. The EXP 1004 module consists of 4 isolated and independent static outputs.

The connection will take place simply by inserting the expansion module into the regulator in the appropriate rear compartment; the regulator will carry out the recognition automatically. The setting of the module parameters is carried out in a very simple way from the configuration menu present in the regulator.

The EXP 1004 module can be combined with a Telegroup product equipped with an expansion slot.

Compatibility follows the following table:

Basic device	Rev. SW basic device
PCRJ8	≥ 04



How to connect the module to the compatible controller

1. First of all, disconnect the voltage to avoid electrocution
2. Remove the removable terminal block.
3. Remove the cover cap of the slot where you want to insert the expansion.
4. Insert the EXP 1004 module as shown in the photo above.
5. Reconnect the removable terminal block.
6. By powering up the controller, the new expansion module will be recognized.

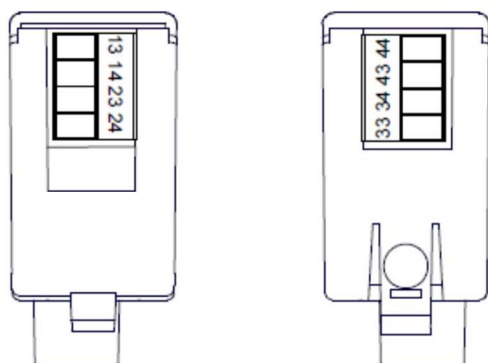
NOTE: to remove the module, remove all dangerous voltage and repeat the operations from point 5 to point 2 in reverse order. Press in the point indicated with 1 to release the module.

Parameter programming

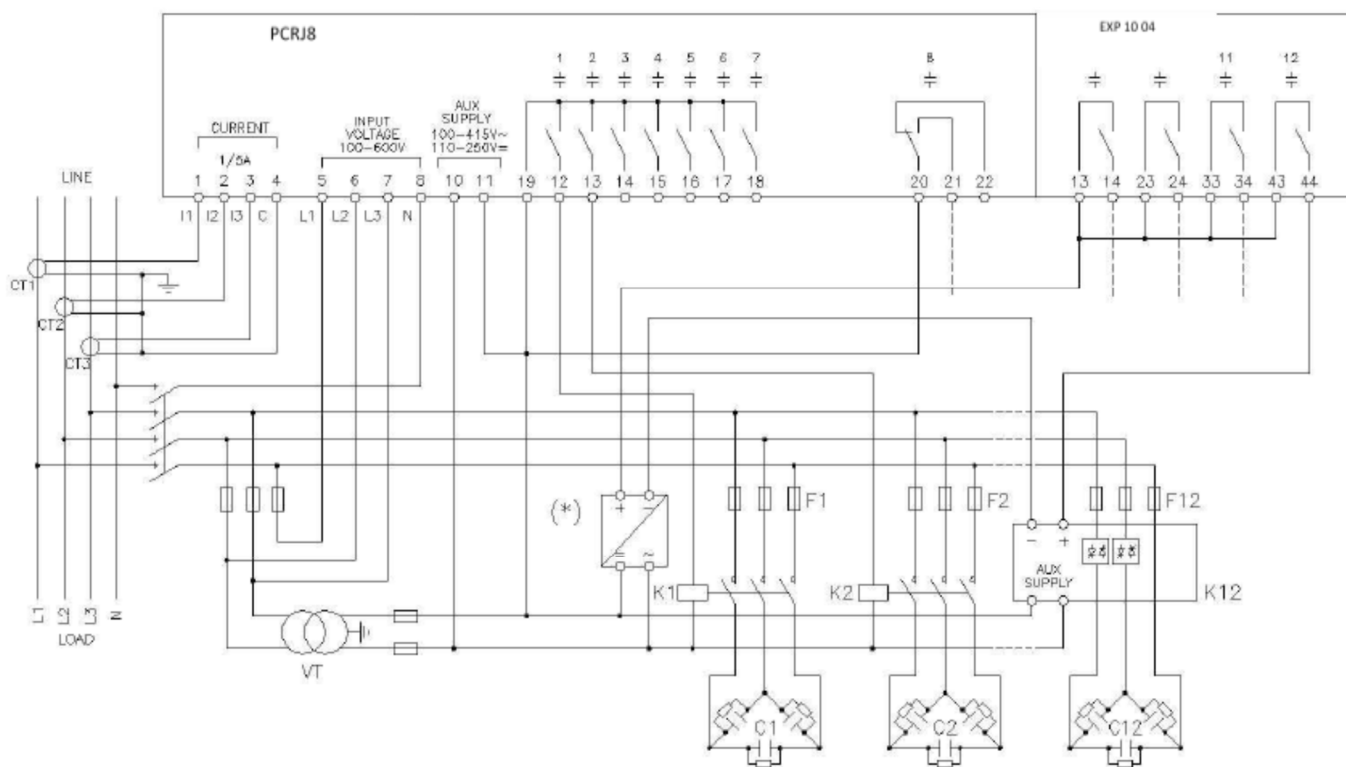
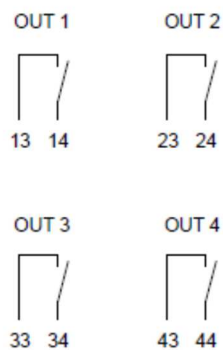
To configure the module parameters, refer to the manual of the PCRJ8 regulator which can be downloaded from the website www.telegroup.it in the download area relating to industrial low voltage power factor correction.

Wiring diagrams

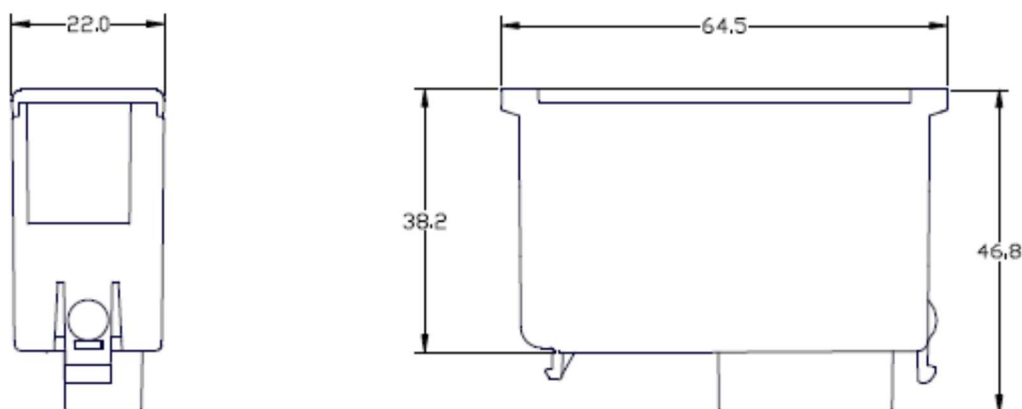
Disposizione morsetti



Connessione uscite statiche



Mechanical Dimensions [mm]



Technical Features

Alimentazione	
Tensione alimentazione	5V= (fornita dal regolatore)
Corrente assorbita	20mA
Potenza assorbita/dissipata	0,1W
Uscite Statiche	
Tipo di uscite	Relè allo stato solido (opto-MOSFET)
Portata uscite statiche (a 60°C)	40Vdc/30Vac 55mA max
Connessione uscite statiche	
Connessione	2 morsetti estraibili
Numero morsetti	4 ognuno
Sezione conduttori (min e max)	0,2...1,5 mm ²
Coppia di serraggio	0,18Nm
Tensione di isolamento	
Tensione nominale di tenuta a impulso U _{imp}	7,3kV
Tensione di tenuta a frequenza d'esercizio	4kV
Condizioni ambientali	
Temperatura d'impiego	-20 - +60°C
Temperatura di stoccaggio	-30 - +80°C
Umidità relativa	<90% (IEC/EN 60068-2-70)
Inquinamento ambiente massimo	Grado 2
Categoria di sovratensione	3
Sequenza climatica	Z/ABDM (IEC/EN 60068-2-61)
Resistenza agli urti	15g (IEC/EN 60068-2-27)
Resistenza alle vibrazioni	0.7g (IEC/EN 60068-2-6)
Connessione al prodotto base	
Tipo di connettore	Connettore ad innesto
Involucro	
Dimensioni	64,5mmx38,2mmx22mm
Montaggio	Ad inserimento nello slot di espansione plug in
Materiale	Poliammide RAL 7035
Grado di protezione	IP20
Peso	50g
Omologazioni e conformità	
Omologazioni	cULus
Conformità a norme	IEC/EN 61010-1, IEC/EN 61000-6-2 IEC/EN 61000-6-3 UL508 e CSA C22.2- N°14
UL « Marking »	Utilizzare unicamente conduttori in rame (Cu) 60°C/75°C Sezione cavi: 0,2 mm ² -1,5mm ² flessibile o rigido Coppia di serraggio morsetti: 0,18Nm

INFORMATION AND TECHNICAL ASSISTANCE

For information, contact:

Sales Office: sales@telegroup.it

Technical service@telegroup.it

Assistance:

