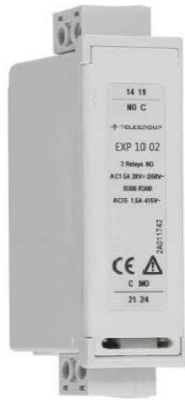


TELEGROUP

// ENG  
// User Manual //  
EXP1002-PCRL-PCRJ



Expansion module  
n. 2 relè outputs

COMPANY WITH SOCIAL  
ACCOUNTABILITY SYSTEM  
CERTIFIED BY DNV GL  
= SA 6000 =

COMPANY WITH  
QUALITY SYSTEM  
CERTIFIED BY DNV GL  
= ISO 9001:2015 =

COMPANY WITH  
ENVIRONMENTAL SYSTEM  
CERTIFIED BY DNV GL  
= ISO 14001:2015 =

COMPANY WITH  
SAFETY SYSTEM  
CERTIFIED BY DNV GL  
= OHSAS 18001 =

# Expansion Module 2 Relay Outputs'

## EXP1002

### User Manual

#### **CAUTION!!!!**



The managers of the company departments have the obligation, in accordance with current regulations, to carefully read the contents of this document and to make it read to the suppliers and maintenance personnel, for the parts that are theirs. The time spent for this purpose will be largely rewarded by the correct operation of the module and its use in safety conditions

This instruction manual is an integral part of the expansion module and is intended to provide all the information necessary for:

- Know the product and its operation;
- Know the operational methods and the limits of use envisaged;
- The correct installation;
- Proper use and in safe conditions.

Before any intervention on the module, disconnect the voltage from the measurement and supply inputs, from the relay outputs where present and short-circuit the current transformers.

- The manufacturer assumes no responsibility for any use not in accordance with this module instruction manual.
- The product described in this document is susceptible to changes or modifications at any time. The descriptions and data in the catalog can not therefore have any contractual value
- Clean the appliance with a soft cloth, do not use abrasive products, liquid detergents or solvents.

## Introduction

The expansion modules have been designed and developed to enhance the connectivity, I / O, storage and analysis functions of the regulator to which they are connected. In particular, the EXP1002 module provides 2 relays with a 415Vac / 1.5A NO contact. This module can be connected to a TELEGROUP controller equipped with a slot for expansion modules. The connection will be made simply by inserting the expansion module into the controller which will automatically recognize it. The output settings are defined via the relevant controller configuration menus

The EXP 1002 module can be combined with a Telegroup product equipped with an expansion housing. Compatibility follows the following table:

Apparecchio base	Rev. SW apparecchio base
PCRL5, PCRL8, PCRJ8	≥ 04



## **How to connect the module to the compatible controller**

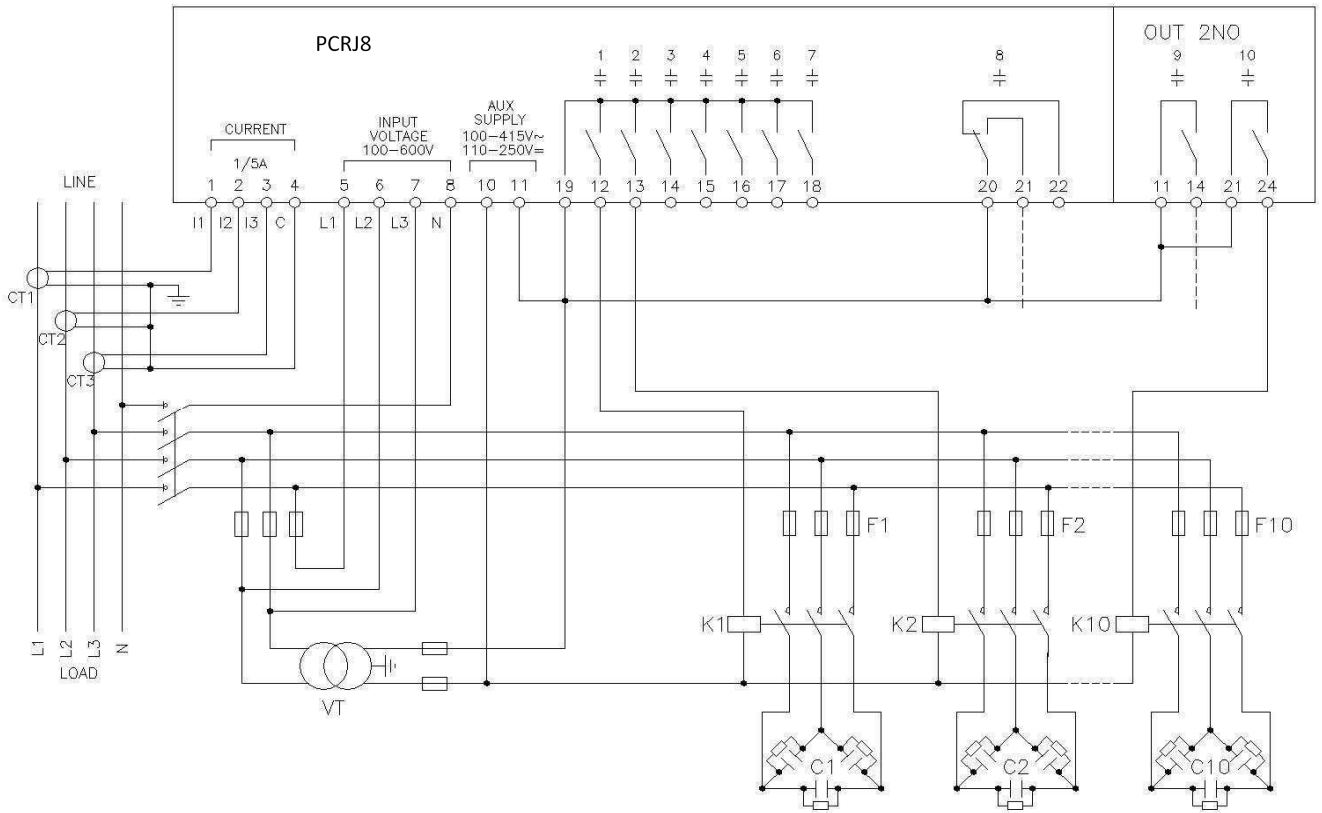
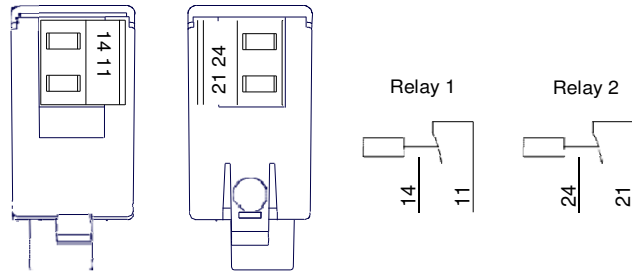
1. First of all, it is necessary to remove tension to avoid electrocution
2. Remove the removable terminal block.
3. Remove the cover cap of the slot where you want to insert the expansion.
4. Insert the EXP 1002 form as shown in the photo above.
5. Reconnect the removable terminal block.
6. Powering the controller will recognize the new expansion module.

NOTE: to remove the module, remove all dangerous voltage and repeat the operations from point 5 to point 2 in the opposite direction. Press in the point indicated by 1 to disengage the module.

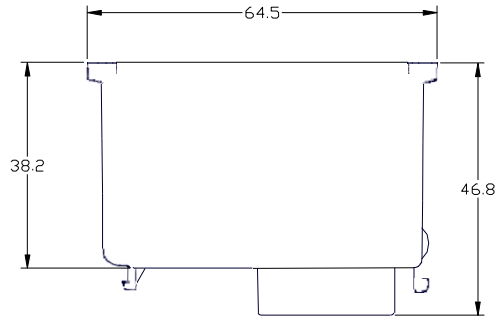
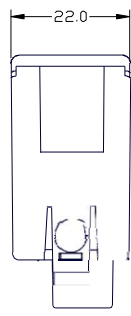
## **Parameter programming**

For the configuration of the module parameters, refer to the complete manual of the PCRL5, PCRL8 or PCRJ8 instrument downloadable from the site [www.TELEGROUP.com](http://www.TELEGROUP.com) in the download area

# Wiring diagram



Mechanical dimensions



**INFORMATION AND  
TECHNICAL  
ASSISTANCE**

For information, contact:

Sales Office: [sales@telegroup.it](mailto:sales@telegroup.it)

Technical Assistance: [service@telegroup.it](mailto:service@telegroup.it)

